

CC

Canister Load Cell



P/F



Hopper



Tank



Truck

LOAD CELL



FEATURES

- Paint finished steel construction
- High accuracy
- Compression Load Cell
- Hermetically sealed

ACCESSORY OPTION

- Load button type
- Ball type

SPECIFICATION

Capacity		kgf	20, 50, 100, 200, 300, 500, 1K, 2K, 3K, 5K, 10K, 20K	
Rated Output		mV / V	3.0 ± 0.003	
Zero Balance		mV / V	0.0 ± 0.03	
Accuracy Class		-	A	B
Non-Linearity		% R.O.	≤ 0.02	≤ 0.05
Hysteresis		% R.O.	≤ 0.02	≤ 0.05
Combined Error		% R.O.	≤ 0.02	≤ 0.05
Repeatability		% R.O.	≤ 0.01	≤ 0.02
Creep for 30min.		% R.O.	≤ 0.03	≤ 0.03
Return for 30min.		% R.O.	≤ 0.03	≤ 0.03
Resolution		-	< 1/5000	< 1/2000
Division		mV / V	0.0006	0.0015
Temperature Effect on	-Zero Value	%/10°C	≤ 0.03	≤ 0.03
	-Output Value	%/10°C	≤ 0.03	≤ 0.03
Excitation	-Recommended	V	10	
	-Maximum	V	15	
Resistance	-Input	Ω	350 ± 3.5	
	-Output	Ω	350 ± 3.5	
	-Insulation	MΩ	> 2000	
Compensated Temperature Range		°C	- 10 to + 40	
Operating Temperature Range		°C	- 20 to + 80	
Material & Plate		-	Paint Finished Steel	
Cable Specification		-	ø8 x 4P x 5M & ø8 x 4P x 10M (P.V.C)	

CC

Canister Load Cell



P/F



Hopper

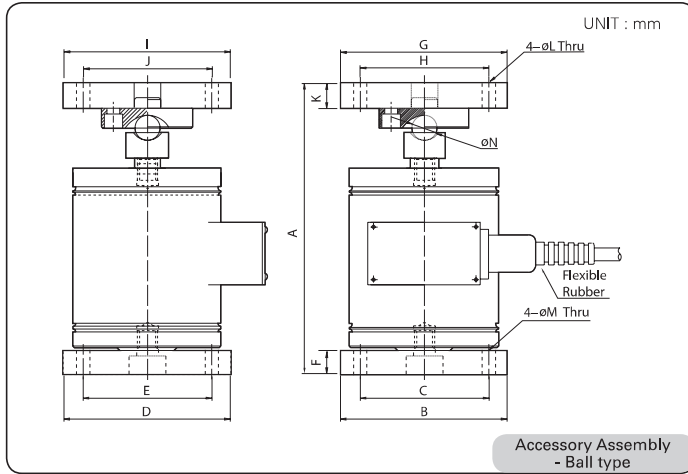


Tank



Truck

● DIMENSION



Capa.	A	B	C	D	E	F	G	H	I	J	K	ØL	ØM	ØN
20kgf														
50kgf														
100kgf														
200kgf	175	100	77	100	77	15	100	77	100	77	15	8	8	15
300kgf														
500kgf														
1tf														
2tf	252	130	105	130	105	23							12	
3tf							130	105	130	105	23	12		30
5tf														
10tf	333	160	105	130	125	30								
20tf	408	200	150	200	150	30							14	



P/F



Hopper



Tank



Truck

LOAD CELL



FEATURES

- Tension Load Cell
- Hermetically sealed
- Paint finished steel construction

ACCESSORY OPTION

- Rod End (20~1K : M12 x 1.25)
- Rod End (2K~5K : M24 x 2.0)
- Rod End (10K : M39 x 2.0)
- Rod End (20K : M50 x 2.0)

SPECIFICATION

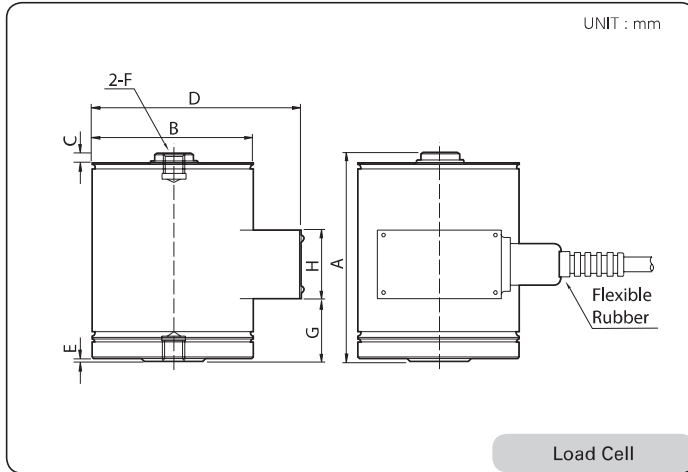
Capacity		kgf	20, 50, 100, 200, 300, 500, 1K, 2K, 3K, 5K, 10K, 20K	
Rated Output		mV / V	3.0 ± 0.003	
Zero Balance		mV / V	0.0 ± 0.03	
Accuracy Class		-	A	B
Non-Linearity		% R.O.	≤ 0.02	≤ 0.05
Hysteresis		% R.O.	≤ 0.02	≤ 0.05
Combined Error		% R.O.	≤ 0.02	≤ 0.05
Repeatability		% R.O.	≤ 0.01	≤ 0.02
Creep for 30min.		% R.O.	≤ 0.03	≤ 0.03
Return for 30min.		% R.O.	≤ 0.03	≤ 0.03
Resolution		-	≤ 1/5000	≤ 1/2000
Division		mV/V	0.0006	0.0015
Temperature Effect on	-Zero Value	%/10°C	≤ 0.03	≤ 0.03
	-Output Value	%/10°C	≤ 0.03	≤ 0.03
Excitation	-Recommended	V	10	
	-Maximum	V	15	
Resistance	-Input	Ω	350 ± 3.5	
	-Output	Ω	350 ± 3.5	
	-Insulation	MΩ	> 2000	
Compensated Temperature Range		°C	- 10 to +40	
Operating Temperature Range		°C	- 20 to +80	
Material & Plate		-	Paint Finished Steel	
Cable Specification		-	ø8 x 4P x 5M & ø8 x 4P x 10M (P.V.C)	

CT

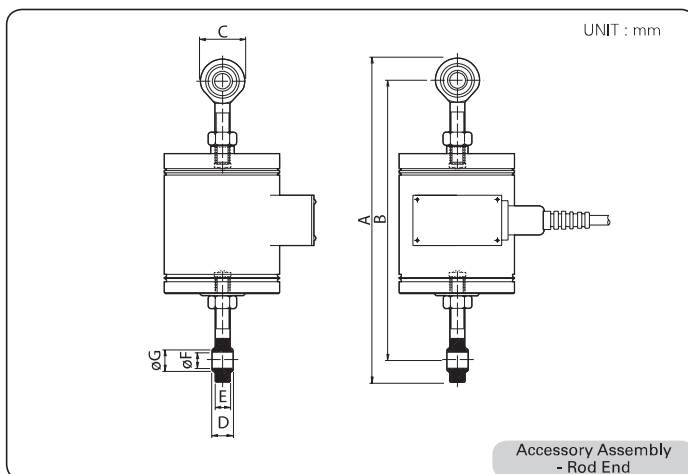
Canister Load Cell



● DIMENSION



Capa.	A	B	C	D	E	F	G	H
20kgf								
50kgf	115	83	6	115	1.5	M12 x 1.25	38.5	38
100kgf								
200kgf								
300kgf	115	89	5	115	1.5	M12 x 1.25	35	38
500kgf								
1tf								
2tf								
3tf	148	89	9	115	1	M24 x 2.0	55	38
5tf								
10tf	215	127	12	152	1.6	M39 x 2.0	75.6	38
20tf	290	165	15	193	1.6	M50 x 2.0	107.6	38



● ACCESSORY FEATURES

- Bearing included structure
- CAS specification
- Order made accessories for 20K

● MANUAL

- Install the Rod End on the upper and bottom side of the Load Cell
- Do not insert the Rod End until the end
- The Rod End should be in a perpendicular with the force direction of the Load Cell
- CAS original Rod End is recommended for the application

Capa.	A	B	C	D	E	ØF	ØG
20kgf							
50kgf	249.0 ~ 254.0	215.0 ~ 220.0					
100kgf							
200kgf			34.0	16.0	12.0	12.0	15.4
300kgf	255.0 ~ 260.0	221.0 ~ 226.0					
500kgf							
1tf							
2tf							
3tf	525.0 ~ 530.0	423.0 ~ 428.0	102.0	28.0	27.0	22.0	25.8
5tf							