

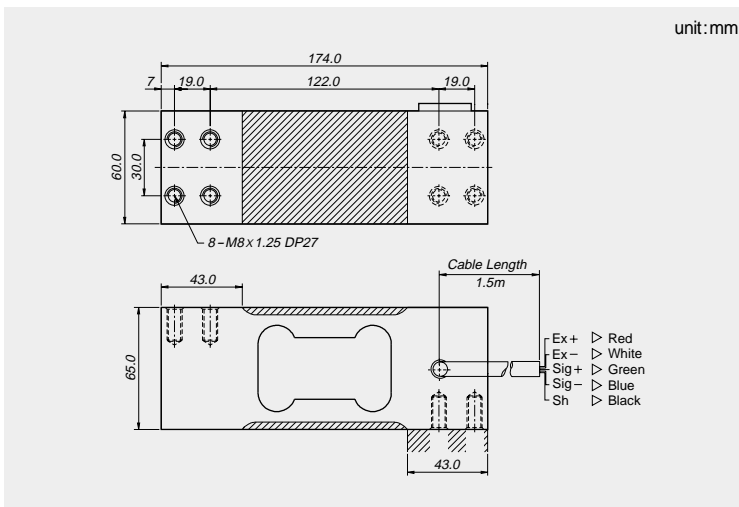
FEATURES

- Low cost
- Off center compensated
- Protection class IP65

SPECIFICATIONS

Max. capacity	kgf	30, 60, 100, 150
Rated output	mV/V	1.2(Approx.)
Zero balance	mV/V	0 ± 0.06
Combined error	%	0.03
Repeatability	%	0.01
Creep for 30 min.	%	0.03
Temperature effect on		
Zero Value	%/10°C	0.028
Output value	%/10°C	0.015
Excitation		
Recommended	V	10
Maximum	V	15
Resistance		
Input	Ω	420 ± 20
Output	Ω	350 ± 3.5
Insulation	MΩ	> 2,000
Compensated temperature range	°C	- 10 to +40
Operating temperature range	°C	- 20 to +70

DIMENSIONS



Material

Anodized Aluminum

Mounting

Socket-head cap screw M8 × 1.25(10.9)
Tightening torque: 29.5Nm

Cable

Braided Shield 4-wire round cable
with PVC-Jacket

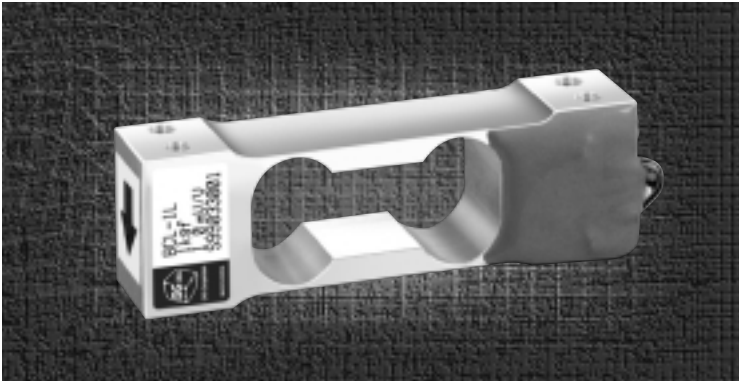
Maximum Platform Size

400 × 600mm (W × L)

Ordering Information

BC - XXXD

Capacity in kg



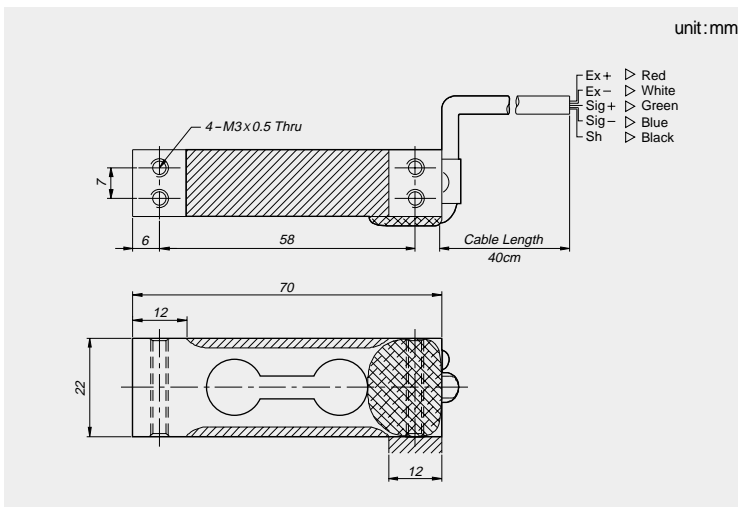
FEATURES

- Low-profile
- Off center compensated
- Protection class IP65

SPECIFICATIONS

Max. capacity	kgf	1, 2, 3
Rated output	mV/V	1.0 ± 0.1
Zero balance	mV/V	0 ± 0.05
Combined error	%	0.03
Repeatability	%	0.01
Creep for 30 min.	%	0.03
Temperature effect on		
Zero Value	%/10°C	0.028
Output value	%/10°C	0.014
Excitation		
Recommended	V	10
Maximum	V	15
Resistance		
Input	Ω	400 ± 20
Output	Ω	350 ± 3.5
Insulation	MΩ	> 2,000
Compensated temperature range	°C	-10 to +40
Operating temperature range	°C	-20 to +70

DIMENSIONS



Material

Anodized Aluminum

Mounting

Socket-head cap screw M3 × 0.5(10.9)
Tightening torque: 1.5Nm

Cable

Braided Shield 4-wire round cable
with PVC-Jacket

Maximum Platform Size

200 × 200mm

Ordering Information

BCL - XL

Capacity in kg