



Tilt up-down, 90°



Turn left-right, 360°



Waterproof

BW SERIES

Bench Scale

BW Series has a pivot-type indicator that can be tilted up & down or left or right. With IP65 Rating the BW series is ideal for wet areas. Like most bench scales the BW series is designed for rough industrial conditions. Equipped with a counting function. High quality and efficient in warehouses, incoming goods or shipping departments. Built to stand up to tough treatment like jolt, vibration and overload.

- Protection level up to IP65 standards
- Tilt(90°) and swivel(360°) display
- Large LCD display (23.5mm)
- Wall mount kit (optional)



BW SERIES | Bench Scale

SPECIFICATIONS

Model	BW Series				
Max. Capacity (kg)	6	15	30	60	150
Readability (g)	2	5	10	20	50
Display	5 digit LCD (23.5mm)				
Display Designator	On/Off, Zero/Mode, Tare, Net/Gross, Hold (or kg/lb)				
Power	DC 12 V 850mA AC adaptor DC 9V(1.5VX6EA Size "AA") dry battery DC 7.2 V(1.2VX6EA Size "AA") R/C battery				
Battery Life	R/C Battery : Approx. 100hrs Alkaline dry battery : 300hrs				
Operating Temp.	-10°C ~ 40°C				
Platter Size (mm)	280(W) x 280(D)		400(W) x 520(D)		
Dimensions (mm)	280(W) x 350(D) x 530(H)		425(W) x 675(D) x 755(H)		
Product Weight (kg)	5.3		17.4		

FEATURES

- Battery operation (alkaline or optional rechargeable battery)
- Low battery indication
- Counting function
- Check weight function (LOW/OK/HIGH)
- On/Off, zero/mode, tare, net/gross, hold (or kg/lb)
- Easy-to-Read, 23.5mm(15/16 in.), 5 digit LCD display
- Single pass automatic span calibration
- Auto zero tracking
- AC adaptor(12V DC 850mA)
- Backlight display

OPTIONS

- Rechargeable battery pack
- Wall mount kit
- RS-232C interface



Wall mount kit

APPLICATION



SWIVEL & TILTABLE HEAD DESIGN

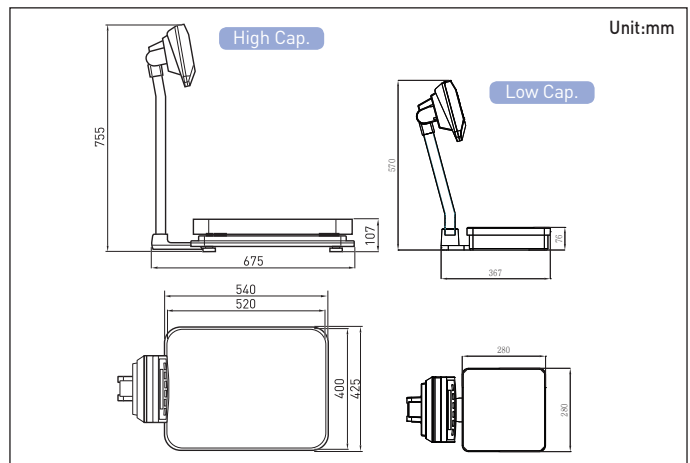


Tilt up-down, 90° (Max.)



Turn left-right, 360° (Max.)

DIMENSIONS



CAS

CAS BLDG., # 440-1, SUNGNAE-DONG,
GANGDONG-GU, SEOUL, KOREA

TEL_ 82 2 2225 3500

FAX_ 82 2 475 4668

<http://www.globalcas.com>

Specifications are subject to change for improvement without prior notice.